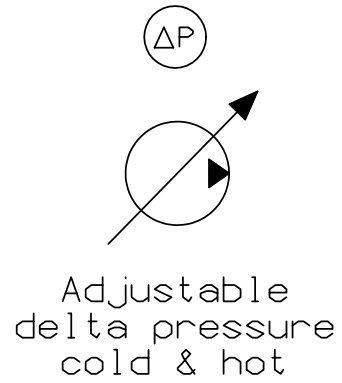
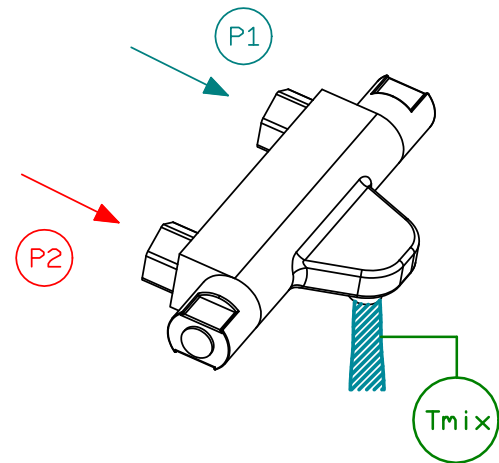
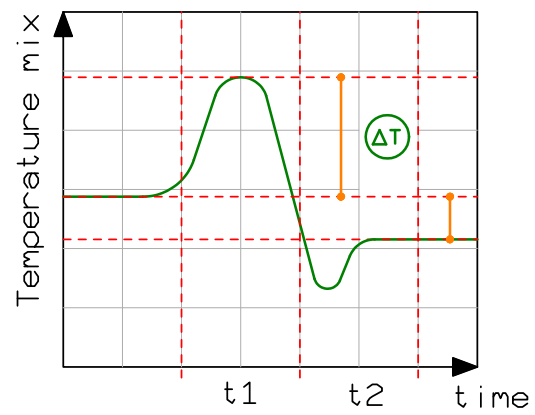
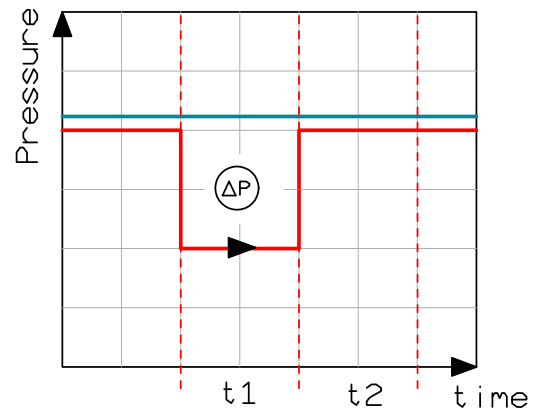


CODE: PJ01 PRESSURE JUMP TEST

sw: AQ2TB-COMBILAB+



⊕ Evaluations

P1: Cold water pressure
P2: Hot water pressure

TEST OF MIXED TEMPERATURE STABILITY WITH CHANGING INLET PRESSURE (HOT OR COLD)

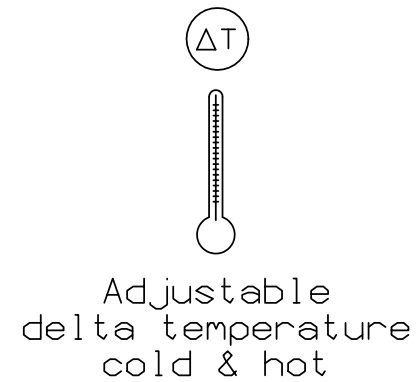
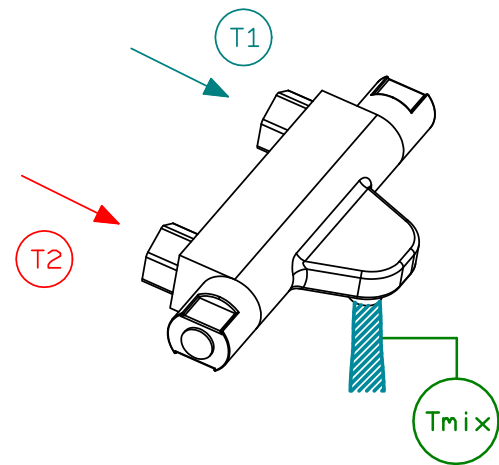
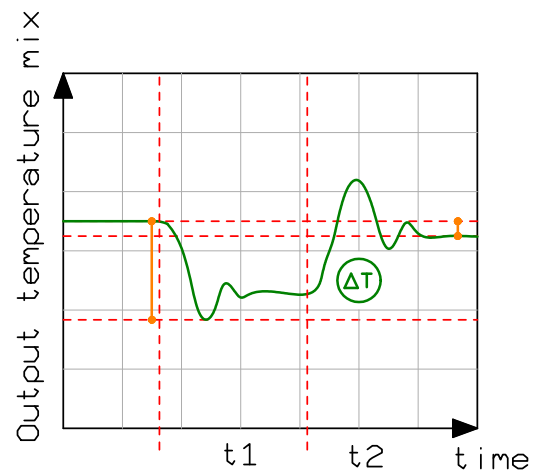
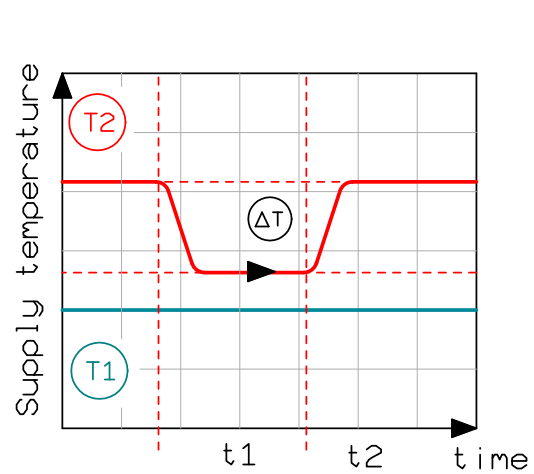
EVALUATION OF ΔT DURING THE PRESSURE VARIATION AND AFTER THE RESTORATION

EXEMPLE OF STANDARD REFERENCE:

EN 1111 cap. 10.8
NF 077 cap. 10.8

CODE: TJ01 TEMPERATURE JUMP TEST

sw: AQ2TB-COMBILAB+



⊕ Evaluations

T1: Cold water temperature
T2: Hot water temperature

TEST OF MIXED TEMPERATURE STABILITY WITH CHANGING INLET TEMPERATURE (HOT OR COLD)

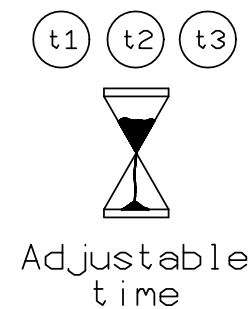
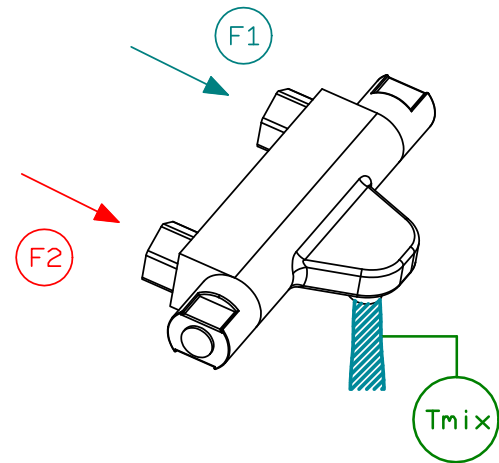
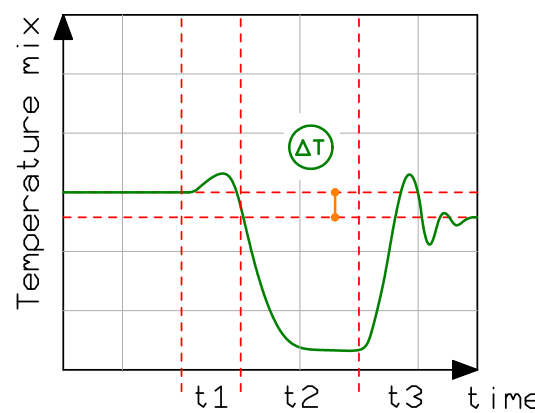
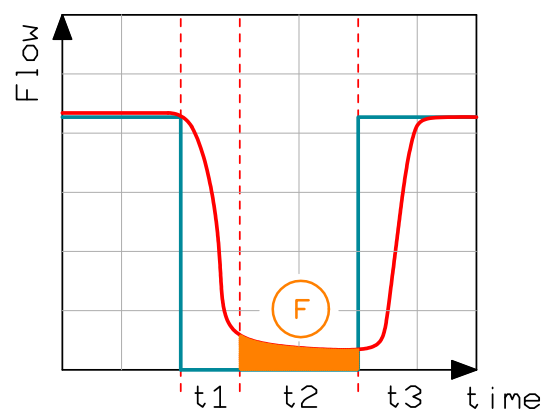
EVALUATION OF ΔT DURING THE PRESSURE VARIATION AND AFTER THE RESTORATION

EXEMPLE OF STANDARD REFERENCE:

EN 1111 cap. 10.9
NF 077 cap. 10.9

CODE: ST01 SAFETY TEST

sw: AQ2TB-COMBILAB+
sw: AQ2TB-M-LAB-NF+
sw: AQ2TB-M-LAB-DO8



⊕ Evaluations

F1: Cold water flow
F2: Hot water flow

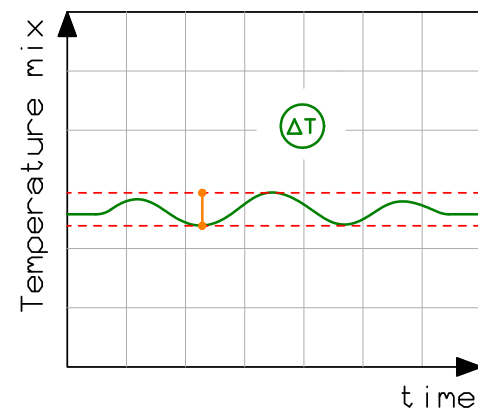
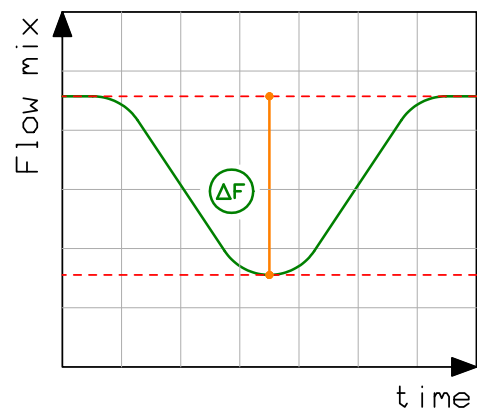
TEST OF SAFETY WITH COLD WATER FAILURE AND RESTORATION WITH EVALUATION OF HOT WATER COLLECTED DURING t_2 AND ΔT MIXED AFTER COLD WATER RESTORATION

EXEMPLE OF STANDARD REFERENCE:

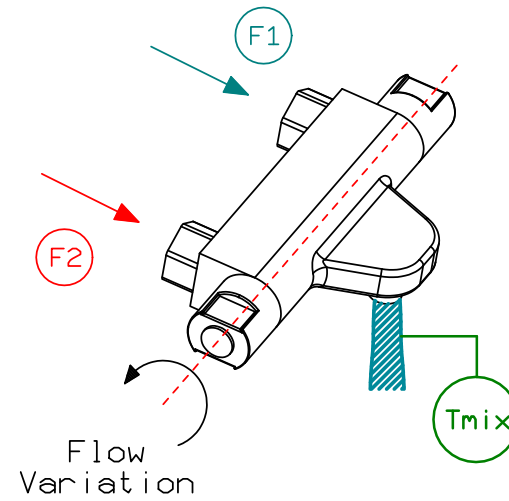
EN 1111 cap. 10.7
NF 077 cap. 10.7
NHS-DO8 cap. 7.7

CODE: FV01 FLOW RATE VARIATION TEST

sw: AQ2TB-COMBILAB+



⊕ΔT Evaluations



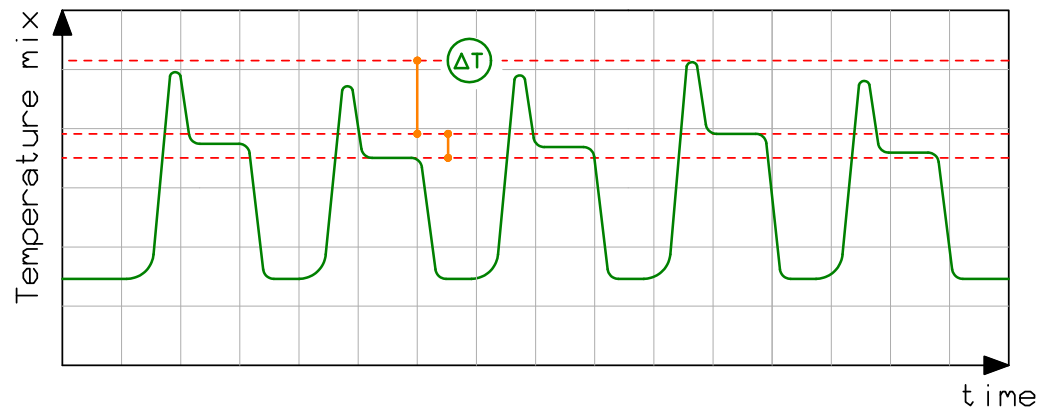
TEST OF MIXED TEMPERATURE STABILITY WITH FLOW RATE VARIATION

EXEMPLE OF STANDARD REFERENCE
prEN 1111_2006 cap. 12.5.3
NF 077 cap. 10.10

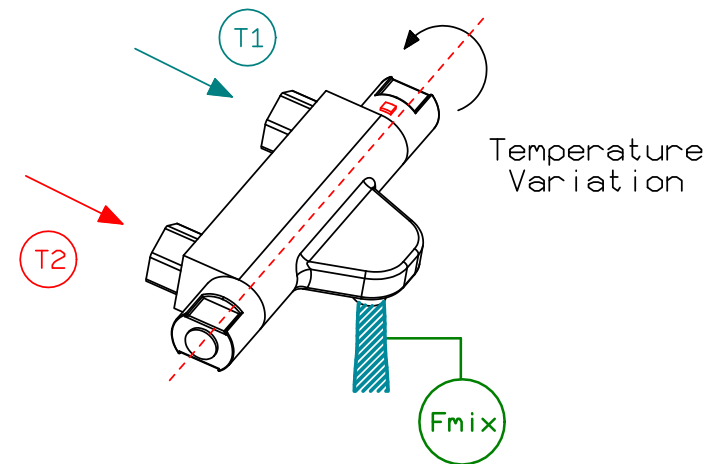
F1: Cold water flow
F2: Hot water flow

CODE: TV01 TEMPERATURE VARIATION TEST

sw: AQ2TB-COMBILAB+



⊕ΔT Evaluations



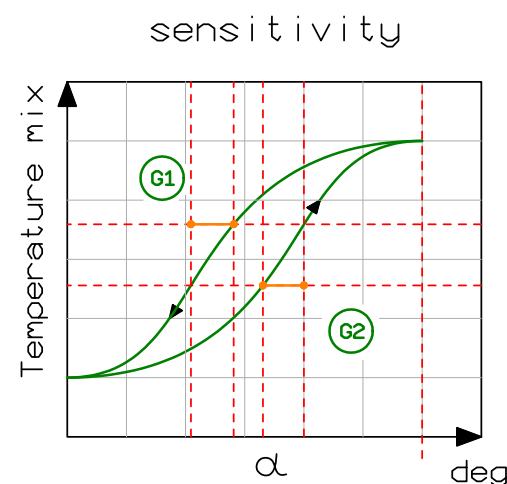
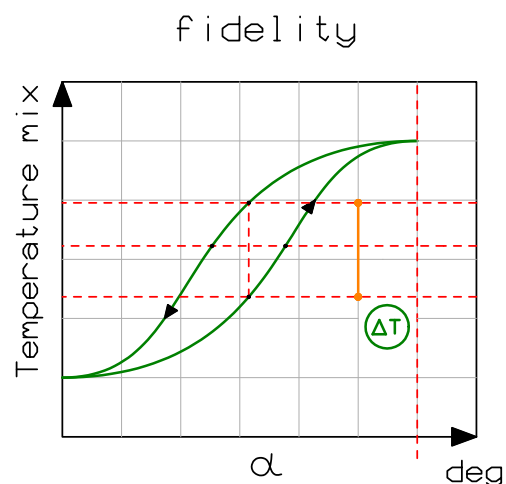
TEST OF TEMPERATURE OVERRIDE STOP WITH EVALUATION OF TEMPERATURE TRANSIENT AND FINAL TEMPERATURE

EXEMPLE OF STANDARD REFERENCE
prEN 1111_2006 cap. 12.5.7
NF 077 cap. 10.12

T1: Cold water temperature
T2: Hot water temperature

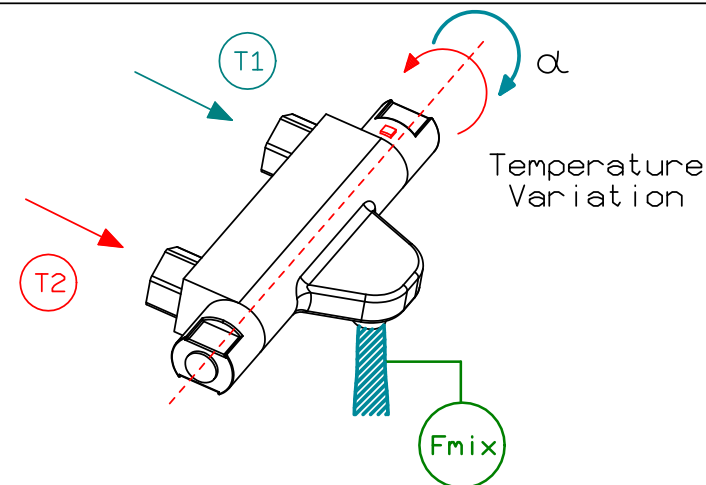
CODE: SF02 SENSITIVITY & FIDELITY TEST

sw: AQ2TB-COMBILAB+
sw: AQ2TB-F+S-DRIVE



⊕ΔT Evaluations

⊕G1 ⊕G2 Evaluations



T1: Cold water temperature
T2: Hot water temperature

TEST OF MIXED TEMPERATURE HISTERESYS AND SENSITIVITY BY MOVING THE TEMPERATURE SETTING DEVICE FROM COLD TO HOT POSITION AND RETURNING TO INITIAL POSITION

EXEMPLE OF STANDARD REFERENCE
EN 1111 cap. 10.6
NF 077 cap. 10.6