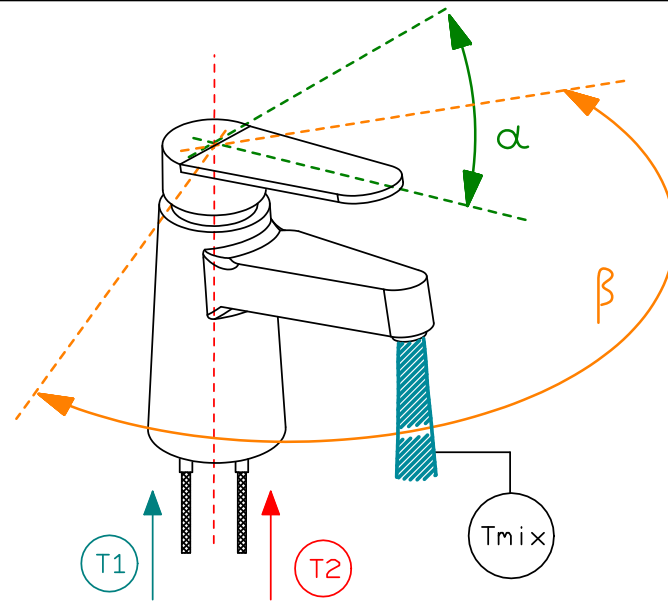
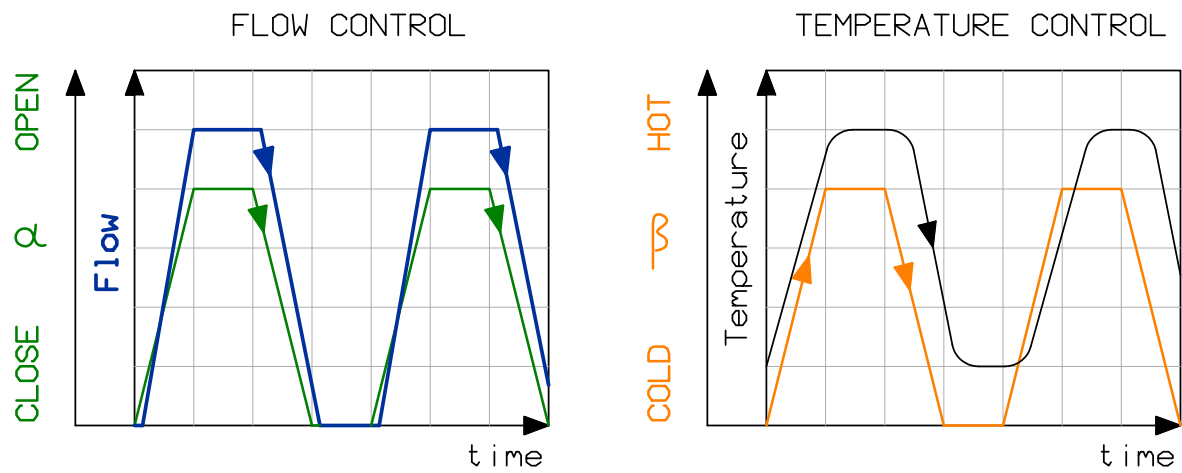


CODE: ESL01 SINGLE LEVER MIXER ENDURANCE TEST

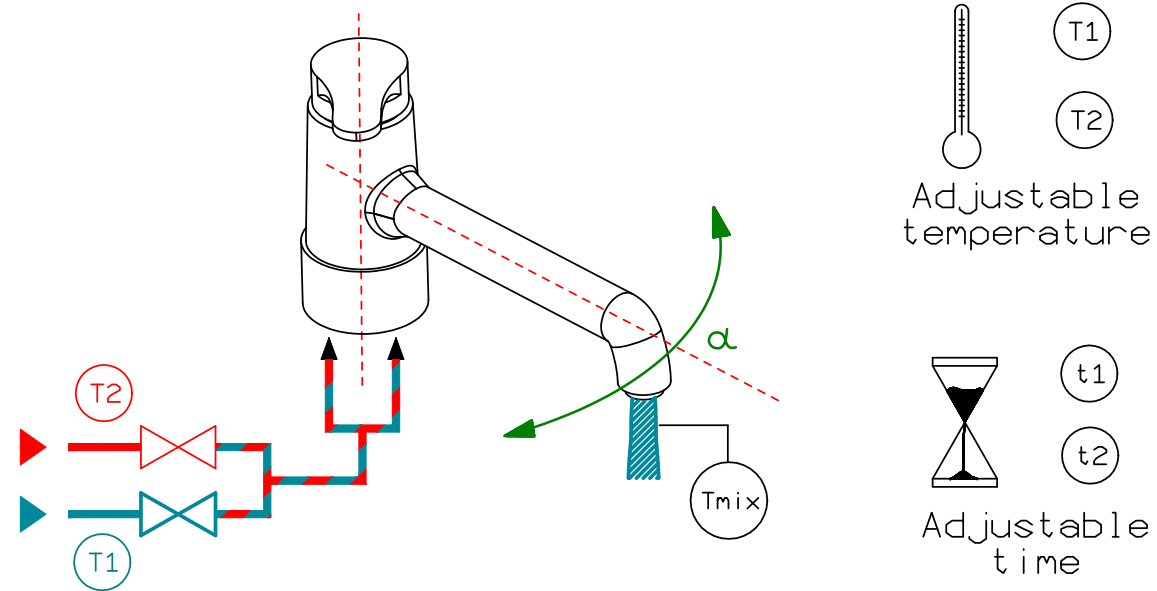
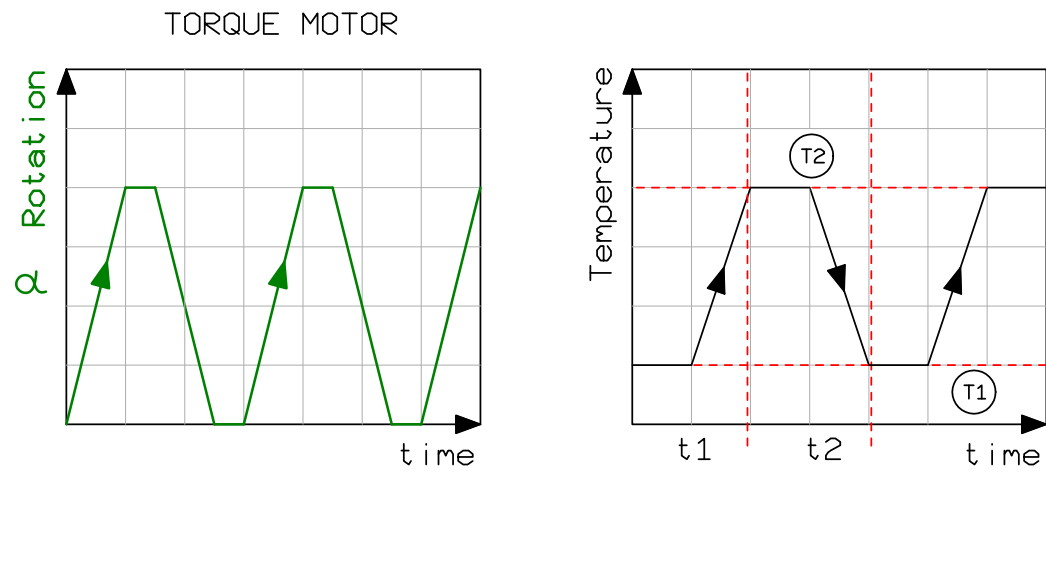


sw: AQ2TB-LM-817  
sw: AQ2TB-LM-CSA

CONTROL AND ACQUISITION OF:  
- LINEAR SPEED  
- FORCE  
- ANGULAR SPEED  
- TORQUE  
- MIXED WATER TEMPERATURE

EXEMPLE OF STANDARD REFERENCE  
EN 817 cap. 12.1  
NF D18-214  
ASME A112.18.1-2005/  
CSA B125.1-05 cap. 5.6.3

CODE: ESS01 SWIVEL SPOUT ENDURANCE TEST

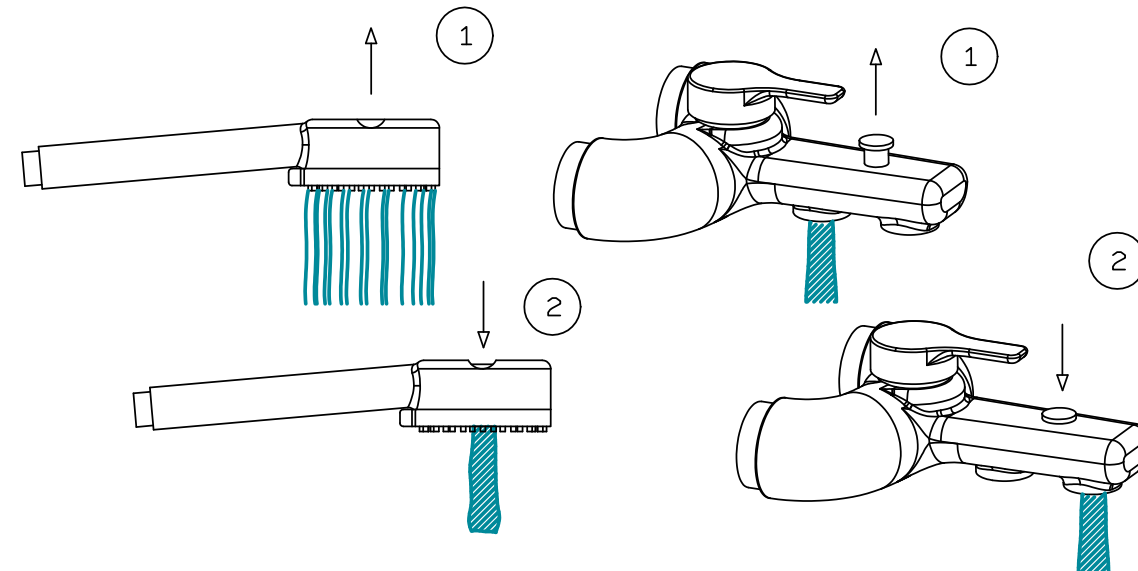
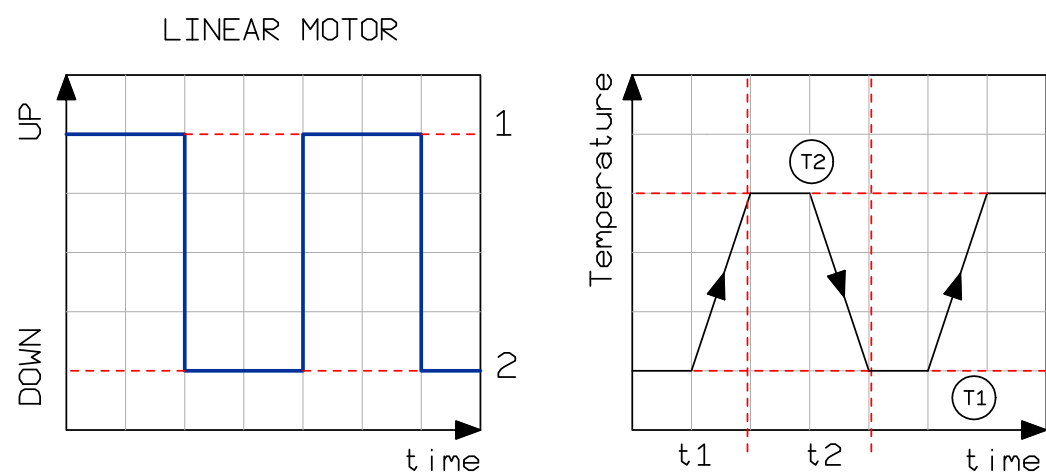


sw: AQ2TB-LBM-817  
sw: AQ2TB-LBM-CSA

CONTROL AND ACQUISITION OF:  
- ANGULAR SPEED  
- TORQUE  
- WATER SUPPLY TEMPERATURE

EXEMPLE OF STANDARD REFERENCE  
EN 817 cap. 12.3  
NF D18-214  
ASME A112.18.1-2005/  
CSA B125.1-05 cap. 5.6.4

CODE: EDO1 DIVERTER ENDURANCE TEST



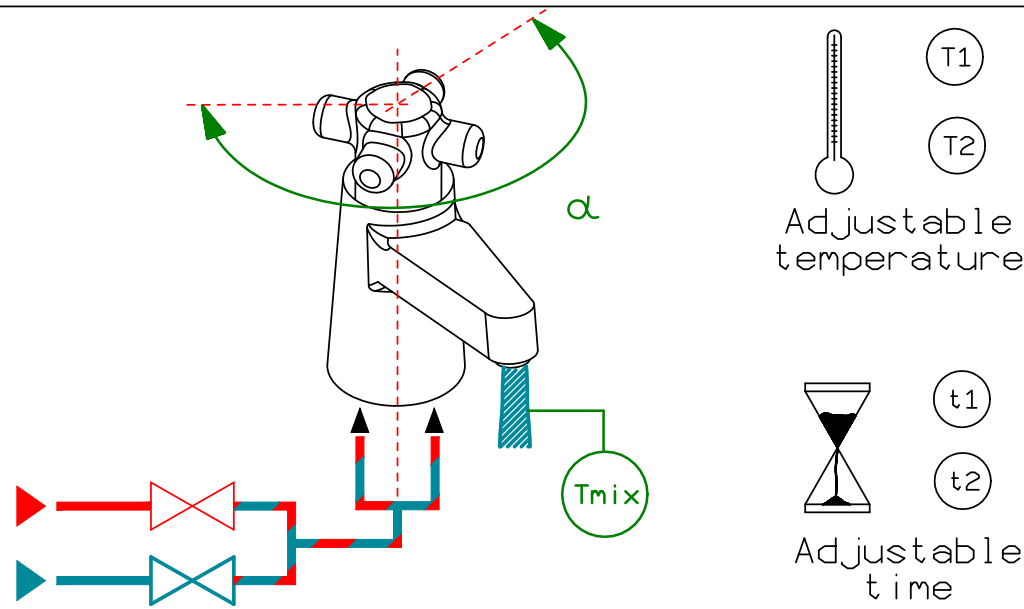
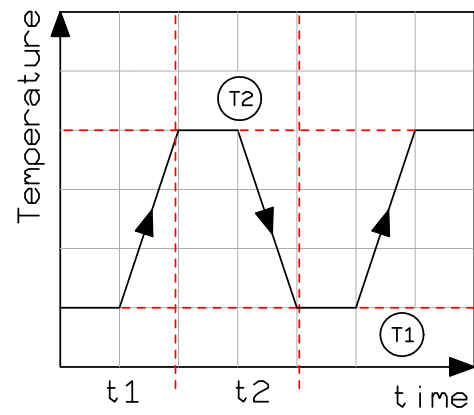
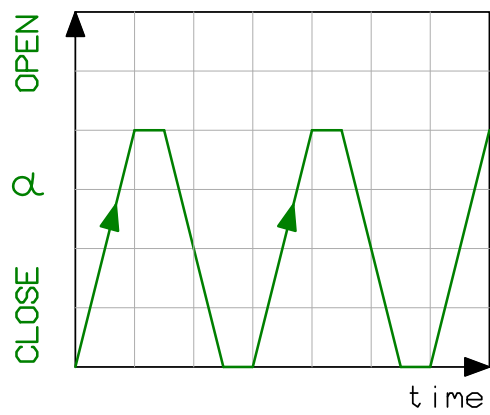
sw: AQ2TB-1LD-H&C

CONTROL AND ACQUISITION OF:  
- LINEAR SPEED  
- FORCE  
- FLOW VARIATION

EXEMPLE OF STANDARD REFERENCE  
EN 200 cap. 12.2  
EN 817 cap. 12.2  
EN 1111 cap. 12.3

CODE: EFC01 FLOW CONTROL ENDURANCE TEST

TORQUE MOTOR



sw: AQ2TB-1LV-DRIVE  
sw: AQ2TB-2LV-DRIVE  
(double handle)

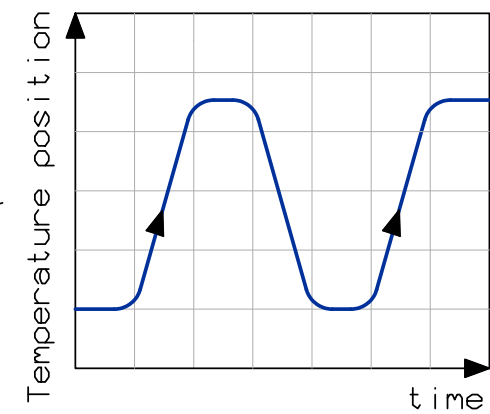
CONTROL AND ACQUISITION OF:

- ANGULAR POSITION
- TORQUE
- WATER SUPPLY TEMPERATURE

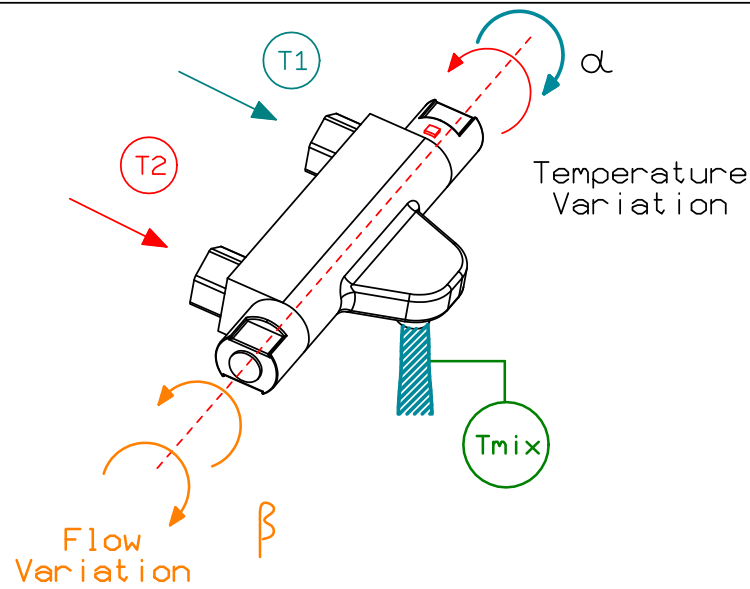
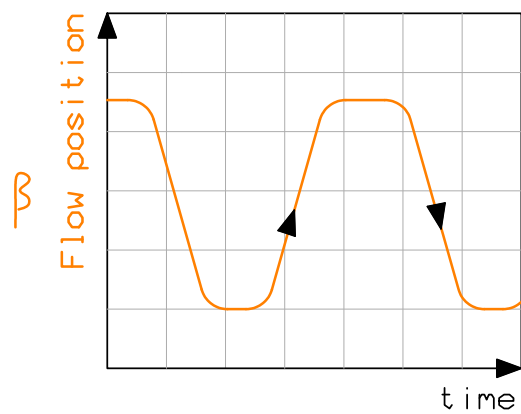
EXEMPLE OF STANDARD REFERENCE  
EN200 cap. 12.1

CODE: ETM01 THERMOSTATIC MIXER ENDURANCE TEST

TORQUE MOTOR



TORQUE MOTOR



sw: AQ2TB-2LM-DRIVE

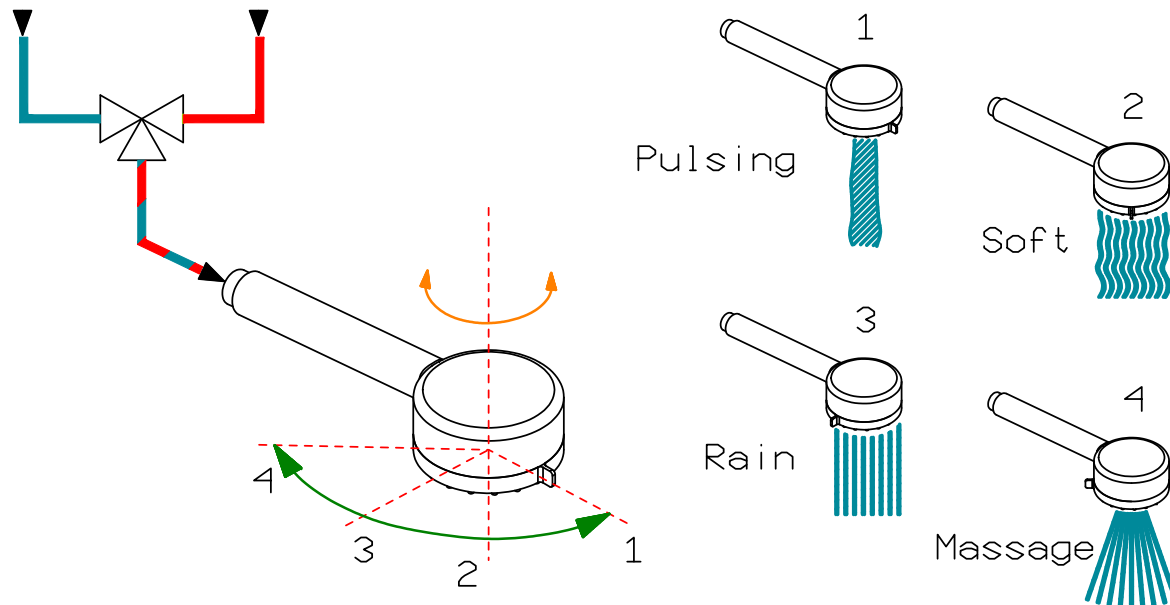
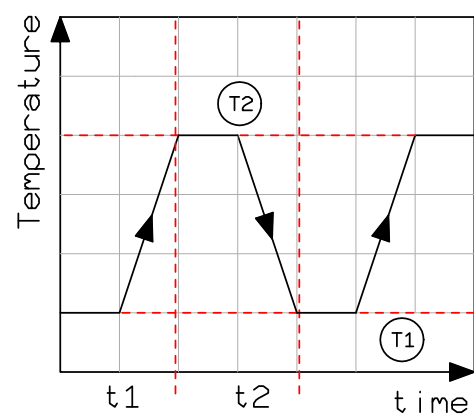
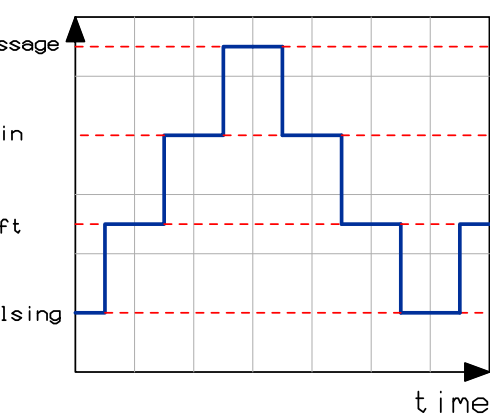
CONTROL AND ACQUISITION OF:

- ANGULAR SPEED
- TORQUE
- MIXED WATER TEMPERATURE

EXEMPLE OF STANDARD REFERENCE  
EN 1111 cap. 12.2

CODE: ESM01 SHOWER MECHANISM ENDURANCE TEST

TORQUE MOTOR



sw: AQ2TB-1LMSDRIVE

CONTROL AND ACQUISITION OF:

- ANGULAR SPEED
- TORQUE
- MIXED WATER TEMPERATURE

EXEMPLE OF  
STANDARD REFERENCE

ASME A112.18.1-2005/  
CSA B125.1-05 cap. 5.6