

# ***BT400 Rub***

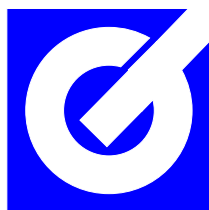
**HYDRAULIC PUMP FOR  
PRESSURE TESTS ON TAPS**



**Operating filed: 0/400 bar**

**Application:**

*Check for hydraulic seal in hydro-sanitary taps in compliance with the main international standards NF – EN – AS – ASME - KIWA*



**GIUSSANI**

# BT400 Rub

## HYDRAULIC PUMP FOR PRESSURE TESTS ON TAPS



### APPLICATION

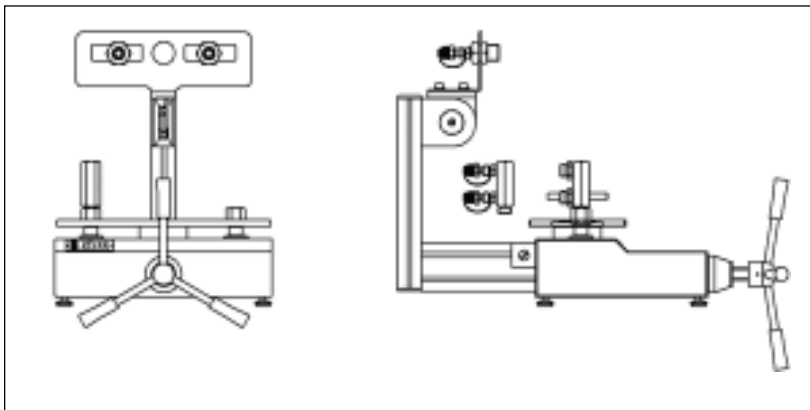
- Check for the hydraulic seal of hydro-sanitary taps on compliance with the main international standards (NF – EN – AS – ASME – KIWA)
- Check for breaking pressure and burst of hydraulic components
- Test and calibration of manometers and pressure transducers combined with reference sample instruments.

### SPECIFICATIONS

- Bearing structure with edged plating
- Main structure made up of bar, stainless steel cylinder
- Bronze piston with teflon guide and OR seals
- Trapezoid screw and bronze internal thread
- Plugs for manometers 1/2" with turning nut and OR seal
- Stainless steel anchor tank with head valve and water recovery basin
- Usage field: 0 ÷ 400 bar (0 ÷ 5500 psi)
- Max. test pressure: 600 bar.
- Hydraulic liquid to be used: water/oil

### PARTS KIT

- Adjustable rear support for
  - \* test collector for groups with 150 mm pitch with flexible connection pipe and quick pipe fittings.
  - \* square bearing for single-hole groups
- Fixed key to block manometers on the turning mount
- Dial manometer NF/C range 0/40 bar acc. 0,25%
- Turning mount (3/8" Gas).
- Complete series of spare hydraulic packings.
- Case for spare parts.
- User manual.



### TECHNICAL DATA

<b>Operating field</b>	0+400 bar
<b>Dimensions</b>	650 x 360 x 300 mm
<b>Packing</b>	670 x 590 x 360 mm

### REFERENCE SAMPLE INSTRUMENTS

#### DIAL MANOMETERS

##### ACCURACY $\pm 0.25\%$

- Diameter: 150 mm. radial mount 1/2" G.M.
- Dial with anti-parallax specular band
- Stainless steel case
- Manufacturer's certificate with reference to S.I.T.
- Transport case
- Scale fields available up to 600 bar

#### DIGITAL MANOMETERS

##### ACCURACY $\pm 0.05\%$

- Radial dial 1/2" G in AISI 316
- Display 13 mm 4 1/2 digit with 50.000 dots
- Programmable measurement units
- Aluminium case 1/2" G.M.
- Battery 9 V. cc.
- Manufacturer's certificate with reference to S.I.T.
- Transport case
- Scale fields available up to 600 bar



ISO 9001  
CERT. N° 9115 GIU1



### CERTIFICATION

All instruments are provided with a test, stability and precision certificate with reference to SIT primary samples.

#### GIUSSANI S.r.l.

Via dei Crederi, 411  
24045 Fara Gera d'Adda (BG) - Italy  
Tel. 0363/399019 - Fax 0363/398725  
www.giussanionline.it  
e-mail info@giussanionline.it

**A QUESTION OF CALIBRATION**